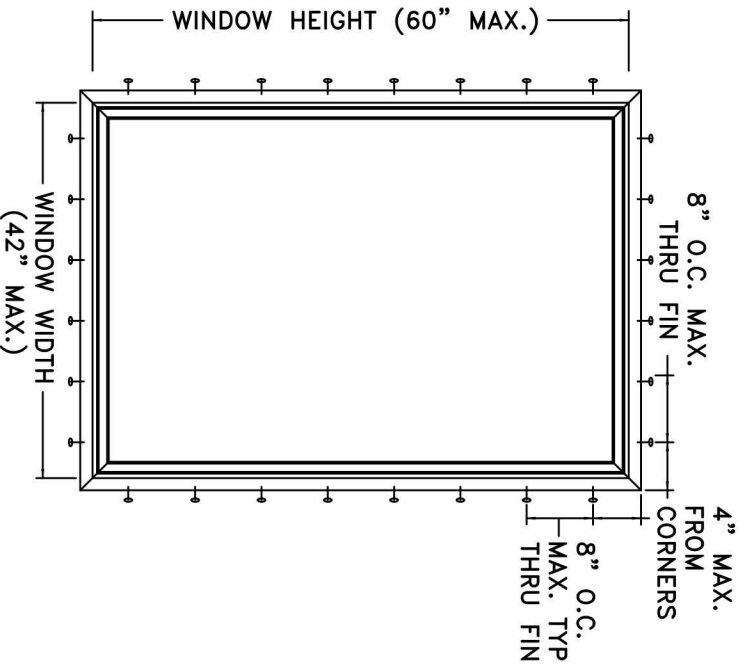


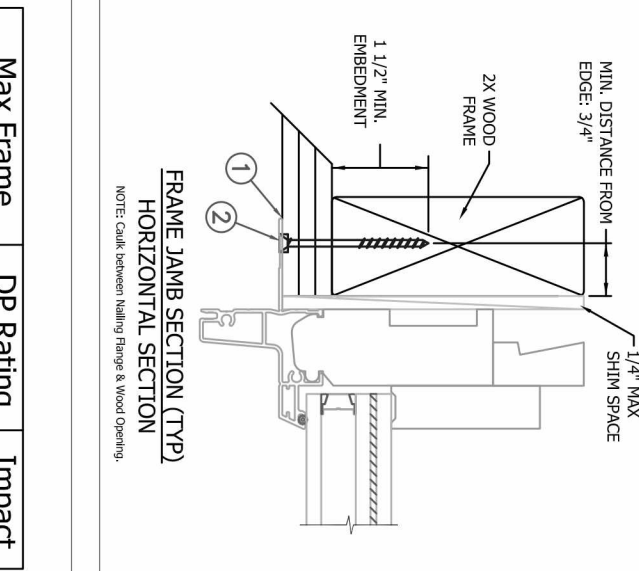
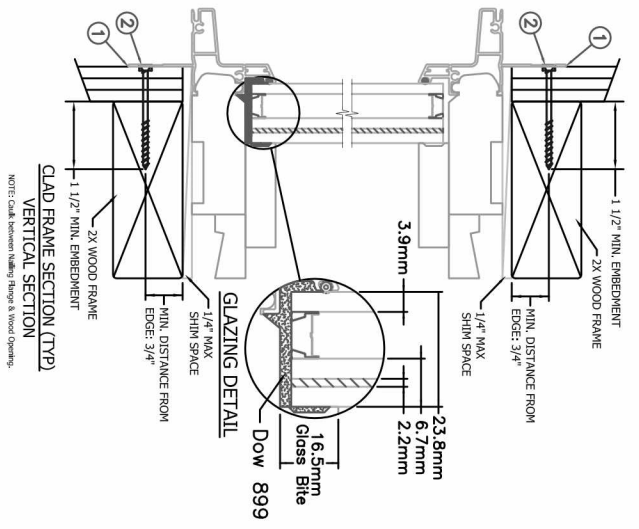
TYPICAL ELEVATION WITH FASTENER SPACING



- Installed Fastener Schedule:**
1. Seal flange/frame to substrate.
 2. All windows- install corrosion resistant #8 fasteners no more than 4" from each corner and 8" o.c. through the nail fins on all sides of the window. Fasteners must be long enough to penetrate at least 1 1/2" into framing members.
 3. Host structure (wood buck, stud framing and opening) to be designed and anchored to properly transfer all loads to the structure. The host structure is the responsibility of the architect or engineer of record for the project or installation.

This schedule addresses only the fasteners required to anchor the window to achieve the rated design pressure up to the size limitations noted. It is not intended as a guide to the installation process and does not address the sealing consideration that may arise in different wall conditions. For the complete installation procedure, see the instructions packaged with the door or go to www.jeld-wen.com.

DISCLAIMER:
This drawing and its contents are confidential and are not to be reproduced or copied in whole or in part or used or disclosed to others except as authorized by JELD-WEN Inc.



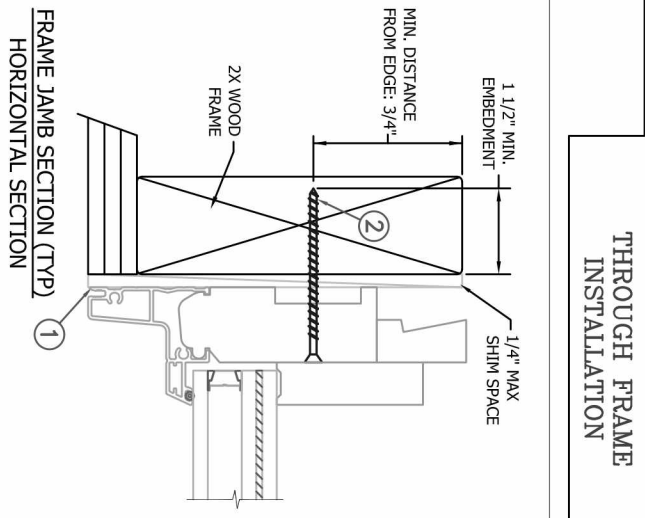
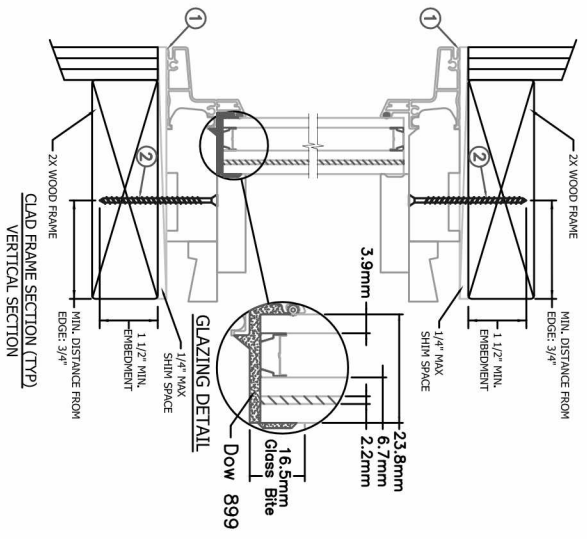
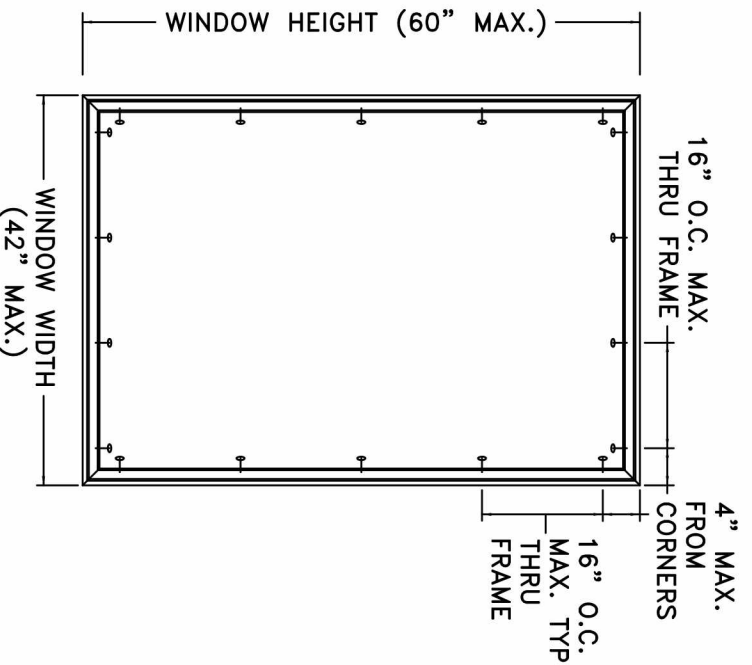
Max Frame	DP Rating	Impact
42" x 60"	+50/-65	YES

- General Notes:**
1. The product shown herein is designed, tested and manufactured to comply with the wind load criteria of the adopted International Building Code (IBC), the International Residential Code (IRC), the Florida Building Code (FBC), and the industry standard requirement for the stated conditions.
 2. Buck, framing and masonry by others and its responsibility of architect or engineer of record.
 3. All glazing shall conform to ASTM E1300.
 4. At minimum, glazing shall be 3.9 mm annealed - 13.2 mm airspace - 2.5 mm annealed - 2.2 mm PVB Interlayer by DuPont - 2.5 mm annealed insulating glass.

PROJECT ENGINEER:	DATE:	11/09/2015	
DRAWN BY:	SCALE:	NTS	
CHECKED BY:	TITLE:	Siteline Clad Direct Set Impact Window	
APPROVED BY:			
PART/PROJECT No.:			
IDENTIFIER No.:			
PLANT NAME AND LOCATION:	CAD DWG. No.:	REV:	SHEET

3737 Lakeport Blvd
Klamath Falls, OR, 97601
Phone: (800) 535-3936

TYPICAL ELEVATION WITH FASTENER SPACING



Max Frame	DP Rating	Impact
42" X 60"	+50/-65	YES

Installed Fastener Schedule:

1. Seal flange/frame to substrate.
2. All windows: install corrosion resistant #8 fasteners no more than 4" from each corner and 16" o.c. through the frame on all sides of the window. Fasteners must be long enough to penetrate at least 1 1/2" into framing members.
3. Host structure (wood buck, stud framing and opening) to be designed and anchored to properly transfer all loads to the structure. The host structure is the responsibility of the architect or engineer of record for the project or installation.

General Notes:

1. The product shown herein is designed, tested and manufactured to comply with the wind load criteria of the adopted International Building Code (IBC), the International Residential Code (IRC), the Florida Building Code (FBC) and the industry standard requirement for the stated conditions.
2. Buck, framing and masonry by others and its responsibility of architect or engineer of record.
3. All glazing shall conform to ASTM E1300.
4. At minimum, glazing shall be 3.9 mm annealed - 13.2 mm airspace - 2.5 mm annealed - 2.2 mm PVB Interlayer by DuPont - 2.5 mm annealed insulating glass.

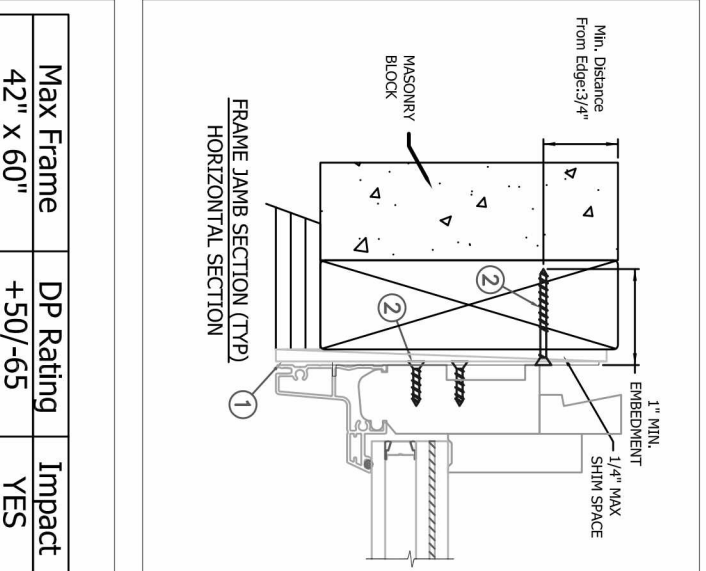
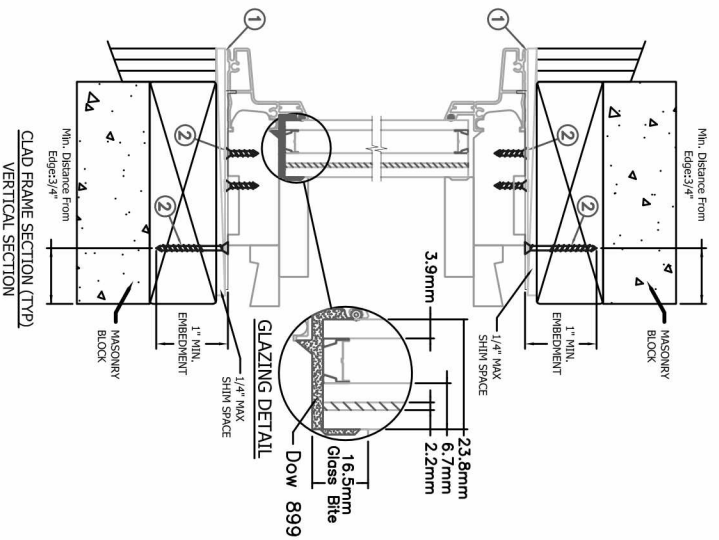
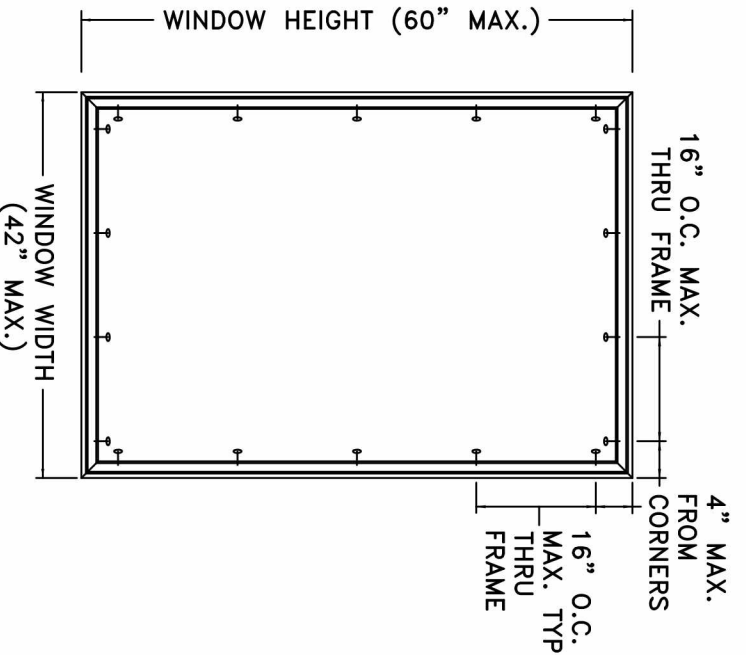
This schedule addresses only the fasteners required to anchor the window to achieve the rated design pressure up to the size limitations noted. It is not intended as a guide to the installation process and does not address the sealing consideration that may arise in different wall conditions. For the complete installation procedure, see the instructions packaged with the door or go to www.jeld-wen.com.

DISCLAIMER:

This drawing and its contents are confidential and are not to be reproduced or copied in whole or in part or used or disclosed to others except as authorized by JELD-WEN Inc.

PROJECT ENGINEER: D. VEZO	DATE: 11/09/2015		3737 Lakeport Blvd Klamath Falls, OR, 97601 Phone: (800) 535-3936
DRAWN BY: D. VEZO	SCALE: NTS		
CHECKED BY: K. Campbell	TITLE: Siteline Clad Direct Set Impact Window		
APPROVED BY: D. Stokes			
PART/PROJECT No.: D013273	PLANT NAME AND LOCATION: Rantoul, IL	CAD DWG. No.:	SHEET
IDENTIFIER No. Sjw2015-114-r2		REV:	

TYPICAL ELEVATION WITH FASTENER SPACING



MASONRY STRAP INSTALLATION

Max Frame	DP Rating	Impact
42" X 60"	+50/-65	YES

Installed Fastener Schedule:

1. Seal flange/frame to substrate.
2. Install masonry straps to wood frame using #8 corrosion resistant fasteners no more than 4" from each corner and 16" o.c. along the frame. Bend straps around buck and secure with #8 fastener thru masonry strap into buck. Fasteners must be long enough to penetrate at least 1" into framing members.
3. Host structure (wood buck, stud framing and opening) to be designed and anchored to properly transfer all loads to the structure. The host structure is the responsibility of the architect or engineer of record for the project of installation.

General Notes:

1. The product shown herein is designed, tested and manufactured to comply with the wind load criteria of the adopted International Building Code (IBC), the International Residential Code (IRC), the Florida Building Code (FBC), and the industry standard requirement for the stated conditions.
2. Buck, framing and masonry by others and its responsibility of architect or engineer of record.
3. All glazing shall conform to ASTM E1300.
4. At minimum, glazing shall be 3.9 mm annealed - 13.2 mm airspace - 2.5 mm annealed - 2.2 mm PVB Interlayer by DuPont - 2.5 mm annealed insulating glass.

This schedule addresses only the fasteners required to anchor the window to achieve the rated design pressure up to the size limitations noted. It is not intended as a guide to the installation process and does not address the sealing consideration that may arise in different wall conditions. For the complete installation procedure, see the instructions packaged with the door or go to www.jeld-wen.com.

DISCLAIMER:

This drawing and its contents are confidential and are not to be reproduced or copied in whole or in part or used or disclosed to others except as authorized by JELD-WEN Inc.

PROJECT ENGINEER: D. VEZO	DATE: 11/09/2015		3737 Lakeport Blvd Klamath Falls, OR, 97601 Phone: (800) 535-3936
DRAWN BY: D. VEZO	SCALE: NTS		3737 Lakeport Blvd Klamath Falls, OR, 97601 Phone: (800) 535-3936
CHECKED BY: K. Campbell	TITLE: Siteline Clad Direct Set Impact Window		
APPROVED BY: D. Stokes			
PART/PROJECT NO.: D013273			
IDENTIFIER NO. SJM2015-114-r2	PLANT NAME AND LOCATION: Rantoul, IL	CAD DWG. No.:	REV:
			SHEET